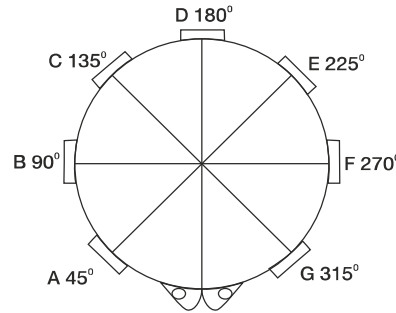


Perforated Heater

DHE® Perforated Heaters can use for low Temp-application of PVC & HD pipe machine plant where Precise Heat required.

DHE® Heaters for Extrusion machine different dies & moulds are use for specific purpose for multilayer & monolayer Extruder machine.



Specify Location
 A B C D E F G

Marking guide for hole slot cutout.

Ceramic Jacketed Heater

DHE® ceramic power saving heaters are specially designed for injection molding machines. These heater can save upto 30% power. Outer wall temperature can maintain 70°C at a time of 300°C on barrel. By single screw opening these heaters are easy to install and maintain. Ceramic fibre paper and hi-density cerawool pad's or Aerogel are used in insulation.

Application

- Injection Molding Machines
- Blow Molding Machines
- Extruder Machines
- Other Process Applications

