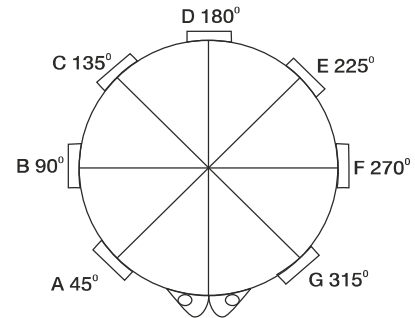


DHE® mica heater can construct with natural mica, ni-chrome heating strip & insulating ceramic fiber paper. It can construct in different shape as per application. These heaters are widely use for low wattage and low temperature applications. Different type of termination & cuts as per profiles and dies of machines are available.

Technical Specification

Sheath material	: S.S. 304, M.S. anodize sheet
Conductor	: Ni-Cr 80/20
Diameter	: Min. 30 mm to 600 mm
Length	: Min. 25 mm to 250 mm
Thickness	: 4 mm
Insulation thickness	: 4mm+6mm = 10mm
Voltage	: 110V, 230V, 440V
Watt density	: 10W/sq.inch
Resistance tolerance	: ±10%
Sheath temperature	: 300°C max
Clamping	: M6 allen bolt with spring
Terminal	: Junction box, Junction box with braided wire, Screw terminal



Marking Guide for hole, slot, cut-out

Application

Extrusion machinery | Blow Molding Machinery | HDPE pipe jointing mirror
 Square or rectangle shape die | Drum heating

Caution: These heaters must be fitted with tighten by bolt. loose fitting occurs fused. If plate heaters are used they must be fit with pressure plate of 5mm and tighten on dies.

